

SUB SEA PRESSURE GAUGES

Selection guide

| parameter | | SUB SEA pressure gauge type | | | | | |
|---------------------|------|--|--|------------|------------|--|--|
| | | PBX-SS-CD | PBX-SS | | | PBX-SS-ED | PBX CAISSON |
| case diameter | mm | 100 mm | 63 mm | 100 mm | 160 mm | 100 mm | 160 mm |
| operating principle | | | | | | <p style="text-align: center;">For use inside decompression chambers. Vent connection for ambient pressure.</p> | |
| gauge reading | | = Pprocess - Pseawater column | = Pprocess | = Pprocess | = Pprocess | = Pdecompression tank | |
| case | | bayonet lock | solid drilled, bar stock | | | solid drilled, bar stock | solid drilled, bar stock |
| max. depth | m | 2500 m | 1200 m | 900 m | 450 m | 4000 m | - |
| optional | m | - | 2000 m | 900 m | 450 m | - | - |
| case material | | AISI316 | AISI316 | | | AISI316 | AISI316 |
| wetted parts | | AISI316Ti/1.4571; AISI316L/1.4436 fully welded system | AISI316Ti/1.4571; AISI316L/1.4436 fully welded system | | | AISI316Ti/1.4571; AISI316L/1.4436 fully welded system | AISI316Ti/1.4571; AISI316L/1.4436 fully welded system |
| catalogue page | | 41-2 | 41-3 | | | 41-4 | 41-5 |
| range (span) | min. | 0-1 bar | 0-6 bar* | 0-6 bar* | 0-6 bar* | 0-6 bar* | 0-1 bar |
| | max. | 0-1600 bar | 0-1000 bar | 0-1600 bar | 0-1600 bar | 0-1600 bar | 0-100 bar |

* liquid filled minimum range 0-10 bar

"SUB SEA" PRESSURE GAUGES, TYPE PBX-SS-CD

TYPE PBX-SS-CD, with compensation diaphragm - max. 2500 metres

CASE : \varnothing 100 mm - bayonet lock, AISI316/1.4401,
100 % GLYCERINE FILLED

WETTED PARTS : bourdon tube + connection AISI316Ti/1.4571

WINDOW : armoured glass 4 mm

DIAL : aluminium, black figures on white

POINTER : aluminium, black

CONNECTION : 1/2" BSP or 1/2" NPT

RANGE : 0-1 upto 0-60 bar, acc. to EN 837-1
for higher ranges see page 42 (max. 1600 bar)

ACCURACY : \pm 1.0% F.S. / class 1

MOVEMENT : AISI304/1.4301

APPLICATION : for operating at great depths of sea water

OPTIONS : see page 44-45



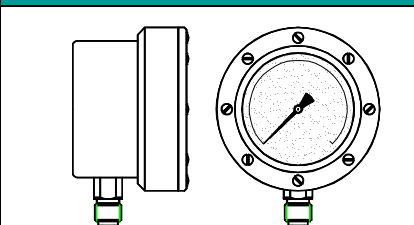
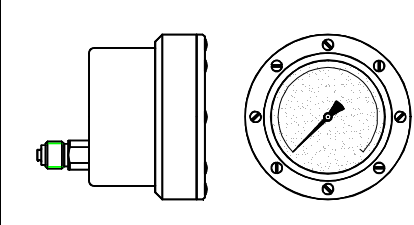
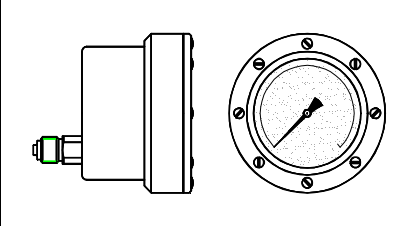
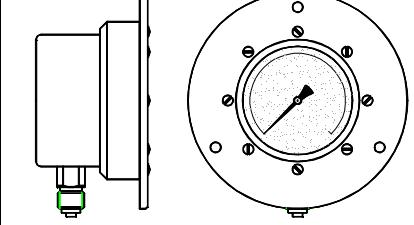
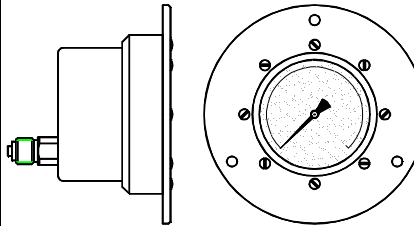
| TYPE | MODEL CD "compensation diaphragm" | DIMENSIONS | UNIT PRICE |
|----------|-----------------------------------|-----------------------|------------|
| A | | PBX-SS-CD100LA | |
| | | DIM | mm |
| | | A | 101,5 |
| | | B | 51 |
| | | C | 19 |
| | | E | 88 |
| | | T | 20 |
| HEX | 22 | | |
| B | | PBX-SS-CD100LB | |
| | | A | 101,5 |
| | | B | 54,5 |
| | | D | 132 |
| | | E | 88 |
| | | H | 4,8 |
| | | J | 22,5 |
| | | L | 121 |
| | | P | 116 |
| | | T | 20 |
| HEX | 22 | | |
| C | | PBX-SS-CD100LC | |
| | | A | 101,5 |
| | | B | 51 |
| | | C | 33 |
| | | E | 92 |
| | | T | 20 |
| D | | PBX-SS-CD100LD | |
| | | A | 101,5 |
| | | B | 38 |
| | | C | 19 |
| | | D | 132 |
| | | E | 88 |
| | | H | 4,5 |
| | | P | 116 |
| | | T | 20 |
| | | HEX | 22 |
| J | | PBX-SS-CD100LJ | |
| | | A | 101,5 |
| | | B | 38 |
| | | C | 33 |
| | | D | 132 |
| | | E | 79 |
| | | H | 4,5 |
| | | P | 116 |
| | | T | 20 |
| HEX | 22 | | |

"SUB SEA" PRESSURE GAUGES, TYPE PBX-SS

TYPE PBX-SS, with pressure tight solid barstock case

STANDARD MODEL

| | |
|--|---|
| CASE : screwed bezel, AISI316/1.4401, pressure tight for depths down to; see below WETTED PARTS : bourdon tube + connection AISI316Ti/1.4571 WINDOW : armoured glass 19mm thick DIAL : aluminium, black figures on white POINTER : aluminium, black CONNECTION : Ø63mm: ¼"BSP or ¼"NPT Ø100 and Ø160mm : 1/2 " BSP or 1/2 " NPT | RANGE : 0-6 upto 0-60 bar, acc. to EN 837-1 (see page 42) for higher ranges (max. 1600 bar) ACCURACY : case Ø 63 : ± 1.6% F.S./ class 1.6 case Ø100 and Ø160 : ± 1.0% F.S. / class 1 MOVEMENT : AISI304/1.4301 APPLICATION : for operating at great depths of sea water and in hyperbaric conditions OPTIONS : see page 44-45 |
|--|---|

| TYPE | MODEL | CASE DIAMETER (Ø in mm) | | |
|------------|---|--------------------------|--------------------|--------------------|
| | | Ø 63 (upto 1200 m) | Ø 100 (upto 900 m) | Ø 160 (upto 450 m) |
| A |  | PBX-SS063XA | PBX-SS100XA | PBX-SS160XA |
| B |  | PBX-SS063XB | PBX-SS100XB | PBX-SS160XB |
| C |  | PBX-SS063XC | PBX-SS100XC | PBX-SS160XC |
| D |  | PBX-SS063XD | PBX-SS100XD | PBX-SS160XD |
| J |  | PBX-SS063XJ | PBX-SS100XJ | PBX-SS160XJ |
| OPTIONS | | EXTRA COSTS | | |
| max. 2000m | 100% GLYCERINE FILLED CASE and SPECIAL GLASS 25 mm THICK | | see page 41-4 | N.A. |
| Lx | GLYCERINE FILLED CASE: | | | |
| | SILICONE OIL FILLED CASE | PBX-SS063Lx | PBX-SS100Lx | PBX-SS160Lx |

SUB SEA PRESSURE GAUGE, TYPE PBX-SS

| TYPE | DRAWING | DIMENSIONS mm | | | | | | | | | | | | | | | | | | | | | | | | | | | | | | | | | | | | | | | | | | | | | | | |
|------------------------------------|---------------|--|-----------|---------------|--|--|----|-----|-----|---|----|-----|-----|---|----|----|----|---|------|----|----|---|-----|-----|-----|---|----|-----|-----|-----|----|----|----|---|----------|-----------|-----------|---|----|-----|-----|---|----|----|----|-----|----|----|----|
| A <i>PBX-SSxxxXA</i> | | <table border="1" style="width: 100%; border-collapse: collapse;"> <thead> <tr> <th rowspan="2">DIM.</th> <th colspan="3">CASE DIAMETER</th> </tr> <tr> <th>63</th> <th>100</th> <th>160</th> </tr> </thead> <tbody> <tr><td>A</td><td>80</td><td>124</td><td>170</td></tr> <tr><td>B</td><td>56</td><td>71</td><td>71</td></tr> <tr><td>C</td><td>17,5</td><td>20</td><td>21</td></tr> <tr><td>E</td><td>57</td><td>109</td><td>131</td></tr> <tr><td>T</td><td>13</td><td>20</td><td>20</td></tr> <tr><td>HEX</td><td>14</td><td>22</td><td>22</td></tr> </tbody> </table> | DIM. | CASE DIAMETER | | | 63 | 100 | 160 | A | 80 | 124 | 170 | B | 56 | 71 | 71 | C | 17,5 | 20 | 21 | E | 57 | 109 | 131 | T | 13 | 20 | 20 | HEX | 14 | 22 | 22 | | | | | | | | | | | | | | | | |
| DIM. | CASE DIAMETER | | | | | | | | | | | | | | | | | | | | | | | | | | | | | | | | | | | | | | | | | | | | | | | | |
| | 63 | 100 | 160 | | | | | | | | | | | | | | | | | | | | | | | | | | | | | | | | | | | | | | | | | | | | | | |
| A | 80 | 124 | 170 | | | | | | | | | | | | | | | | | | | | | | | | | | | | | | | | | | | | | | | | | | | | | | |
| B | 56 | 71 | 71 | | | | | | | | | | | | | | | | | | | | | | | | | | | | | | | | | | | | | | | | | | | | | | |
| C | 17,5 | 20 | 21 | | | | | | | | | | | | | | | | | | | | | | | | | | | | | | | | | | | | | | | | | | | | | | |
| E | 57 | 109 | 131 | | | | | | | | | | | | | | | | | | | | | | | | | | | | | | | | | | | | | | | | | | | | | | |
| T | 13 | 20 | 20 | | | | | | | | | | | | | | | | | | | | | | | | | | | | | | | | | | | | | | | | | | | | | | |
| HEX | 14 | 22 | 22 | | | | | | | | | | | | | | | | | | | | | | | | | | | | | | | | | | | | | | | | | | | | | | |
| B <i>PBX-SSxxxXB</i> | | <table border="1" style="width: 100%; border-collapse: collapse;"> <thead> <tr> <th rowspan="2">DIM.</th> <th colspan="3">CASE DIAMETER</th> </tr> <tr> <th>63</th> <th>100</th> <th>160</th> </tr> </thead> <tbody> <tr><td>A</td><td>80</td><td>124</td><td>170</td></tr> <tr><td>B</td><td>61</td><td>76</td><td>76</td></tr> <tr><td>C</td><td>22,5</td><td>25</td><td>26</td></tr> <tr><td>D</td><td>110</td><td>175</td><td>205</td></tr> <tr><td>E</td><td>57</td><td>109</td><td>131</td></tr> <tr><td>F</td><td>5</td><td>5</td><td>5</td></tr> <tr><td>H</td><td>5.2 (3x)</td><td>6.2 (4x)*</td><td>6.2 (4x)*</td></tr> <tr><td>P</td><td>95</td><td>150</td><td>186</td></tr> <tr><td>T</td><td>13</td><td>20</td><td>20</td></tr> <tr><td>HEX</td><td>14</td><td>22</td><td>22</td></tr> </tbody> </table> <p>* 4 holes patern: </p> | DIM. | CASE DIAMETER | | | 63 | 100 | 160 | A | 80 | 124 | 170 | B | 61 | 76 | 76 | C | 22,5 | 25 | 26 | D | 110 | 175 | 205 | E | 57 | 109 | 131 | F | 5 | 5 | 5 | H | 5.2 (3x) | 6.2 (4x)* | 6.2 (4x)* | P | 95 | 150 | 186 | T | 13 | 20 | 20 | HEX | 14 | 22 | 22 |
| DIM. | CASE DIAMETER | | | | | | | | | | | | | | | | | | | | | | | | | | | | | | | | | | | | | | | | | | | | | | | | |
| | 63 | 100 | 160 | | | | | | | | | | | | | | | | | | | | | | | | | | | | | | | | | | | | | | | | | | | | | | |
| A | 80 | 124 | 170 | | | | | | | | | | | | | | | | | | | | | | | | | | | | | | | | | | | | | | | | | | | | | | |
| B | 61 | 76 | 76 | | | | | | | | | | | | | | | | | | | | | | | | | | | | | | | | | | | | | | | | | | | | | | |
| C | 22,5 | 25 | 26 | | | | | | | | | | | | | | | | | | | | | | | | | | | | | | | | | | | | | | | | | | | | | | |
| D | 110 | 175 | 205 | | | | | | | | | | | | | | | | | | | | | | | | | | | | | | | | | | | | | | | | | | | | | | |
| E | 57 | 109 | 131 | | | | | | | | | | | | | | | | | | | | | | | | | | | | | | | | | | | | | | | | | | | | | | |
| F | 5 | 5 | 5 | | | | | | | | | | | | | | | | | | | | | | | | | | | | | | | | | | | | | | | | | | | | | | |
| H | 5.2 (3x) | 6.2 (4x)* | 6.2 (4x)* | | | | | | | | | | | | | | | | | | | | | | | | | | | | | | | | | | | | | | | | | | | | | | |
| P | 95 | 150 | 186 | | | | | | | | | | | | | | | | | | | | | | | | | | | | | | | | | | | | | | | | | | | | | | |
| T | 13 | 20 | 20 | | | | | | | | | | | | | | | | | | | | | | | | | | | | | | | | | | | | | | | | | | | | | | |
| HEX | 14 | 22 | 22 | | | | | | | | | | | | | | | | | | | | | | | | | | | | | | | | | | | | | | | | | | | | | | |
| C <i>PBX-SSxxxXC</i> | | <table border="1" style="width: 100%; border-collapse: collapse;"> <thead> <tr> <th rowspan="2">DIM.</th> <th colspan="3">CASE DIAMETER</th> </tr> <tr> <th>63</th> <th>100</th> <th>160</th> </tr> </thead> <tbody> <tr><td>A</td><td>80</td><td>124</td><td>170</td></tr> <tr><td>B</td><td>56</td><td>71</td><td>71</td></tr> <tr><td>C</td><td>18,5</td><td>30</td><td>30</td></tr> <tr><td>E</td><td>79</td><td>132</td><td>132</td></tr> <tr><td>T</td><td>13</td><td>20</td><td>20</td></tr> <tr><td>HEX</td><td>14</td><td>22</td><td>22</td></tr> </tbody> </table> | DIM. | CASE DIAMETER | | | 63 | 100 | 160 | A | 80 | 124 | 170 | B | 56 | 71 | 71 | C | 18,5 | 30 | 30 | E | 79 | 132 | 132 | T | 13 | 20 | 20 | HEX | 14 | 22 | 22 | | | | | | | | | | | | | | | | |
| DIM. | CASE DIAMETER | | | | | | | | | | | | | | | | | | | | | | | | | | | | | | | | | | | | | | | | | | | | | | | | |
| | 63 | 100 | 160 | | | | | | | | | | | | | | | | | | | | | | | | | | | | | | | | | | | | | | | | | | | | | | |
| A | 80 | 124 | 170 | | | | | | | | | | | | | | | | | | | | | | | | | | | | | | | | | | | | | | | | | | | | | | |
| B | 56 | 71 | 71 | | | | | | | | | | | | | | | | | | | | | | | | | | | | | | | | | | | | | | | | | | | | | | |
| C | 18,5 | 30 | 30 | | | | | | | | | | | | | | | | | | | | | | | | | | | | | | | | | | | | | | | | | | | | | | |
| E | 79 | 132 | 132 | | | | | | | | | | | | | | | | | | | | | | | | | | | | | | | | | | | | | | | | | | | | | | |
| T | 13 | 20 | 20 | | | | | | | | | | | | | | | | | | | | | | | | | | | | | | | | | | | | | | | | | | | | | | |
| HEX | 14 | 22 | 22 | | | | | | | | | | | | | | | | | | | | | | | | | | | | | | | | | | | | | | | | | | | | | | |
| D <i>PBX-SSxxxXD</i> | | <table border="1" style="width: 100%; border-collapse: collapse;"> <thead> <tr> <th rowspan="2">DIM.</th> <th colspan="3">CASE DIAMETER</th> </tr> <tr> <th>63</th> <th>100</th> <th>160</th> </tr> </thead> <tbody> <tr><td>A</td><td>80</td><td>124</td><td>170</td></tr> <tr><td>B</td><td>56</td><td>71</td><td>71</td></tr> <tr><td>C</td><td>17,5</td><td>20</td><td>21</td></tr> <tr><td>D</td><td>110</td><td>175</td><td>205</td></tr> <tr><td>E</td><td>57</td><td>109</td><td>131</td></tr> <tr><td>F</td><td>5</td><td>5</td><td>5</td></tr> <tr><td>H</td><td>5.2 (3x)</td><td>6.2 (4x)*</td><td>6.2 (4x)*</td></tr> <tr><td>P</td><td>95</td><td>150</td><td>186</td></tr> <tr><td>T</td><td>13</td><td>20</td><td>20</td></tr> <tr><td>HEX</td><td>14</td><td>22</td><td>22</td></tr> </tbody> </table> <p>* 4 holes patern: </p> | DIM. | CASE DIAMETER | | | 63 | 100 | 160 | A | 80 | 124 | 170 | B | 56 | 71 | 71 | C | 17,5 | 20 | 21 | D | 110 | 175 | 205 | E | 57 | 109 | 131 | F | 5 | 5 | 5 | H | 5.2 (3x) | 6.2 (4x)* | 6.2 (4x)* | P | 95 | 150 | 186 | T | 13 | 20 | 20 | HEX | 14 | 22 | 22 |
| DIM. | CASE DIAMETER | | | | | | | | | | | | | | | | | | | | | | | | | | | | | | | | | | | | | | | | | | | | | | | | |
| | 63 | 100 | 160 | | | | | | | | | | | | | | | | | | | | | | | | | | | | | | | | | | | | | | | | | | | | | | |
| A | 80 | 124 | 170 | | | | | | | | | | | | | | | | | | | | | | | | | | | | | | | | | | | | | | | | | | | | | | |
| B | 56 | 71 | 71 | | | | | | | | | | | | | | | | | | | | | | | | | | | | | | | | | | | | | | | | | | | | | | |
| C | 17,5 | 20 | 21 | | | | | | | | | | | | | | | | | | | | | | | | | | | | | | | | | | | | | | | | | | | | | | |
| D | 110 | 175 | 205 | | | | | | | | | | | | | | | | | | | | | | | | | | | | | | | | | | | | | | | | | | | | | | |
| E | 57 | 109 | 131 | | | | | | | | | | | | | | | | | | | | | | | | | | | | | | | | | | | | | | | | | | | | | | |
| F | 5 | 5 | 5 | | | | | | | | | | | | | | | | | | | | | | | | | | | | | | | | | | | | | | | | | | | | | | |
| H | 5.2 (3x) | 6.2 (4x)* | 6.2 (4x)* | | | | | | | | | | | | | | | | | | | | | | | | | | | | | | | | | | | | | | | | | | | | | | |
| P | 95 | 150 | 186 | | | | | | | | | | | | | | | | | | | | | | | | | | | | | | | | | | | | | | | | | | | | | | |
| T | 13 | 20 | 20 | | | | | | | | | | | | | | | | | | | | | | | | | | | | | | | | | | | | | | | | | | | | | | |
| HEX | 14 | 22 | 22 | | | | | | | | | | | | | | | | | | | | | | | | | | | | | | | | | | | | | | | | | | | | | | |
| J <i>PBX-SSxxxXJ</i> | | <table border="1" style="width: 100%; border-collapse: collapse;"> <thead> <tr> <th rowspan="2">DIM.</th> <th colspan="3">CASE DIAMETER</th> </tr> <tr> <th>63</th> <th>100</th> <th>160</th> </tr> </thead> <tbody> <tr><td>A</td><td>80</td><td>124</td><td>170</td></tr> <tr><td>B</td><td>56</td><td>71</td><td>71</td></tr> <tr><td>C</td><td>18,5</td><td>30</td><td>30</td></tr> <tr><td>D</td><td>110</td><td>175</td><td>205</td></tr> <tr><td>E</td><td>79</td><td>132</td><td>132</td></tr> <tr><td>F</td><td>5</td><td>5</td><td>5</td></tr> <tr><td>H</td><td>5.2 (3x)</td><td>6.2 (4x)*</td><td>6.2 (4x)*</td></tr> <tr><td>P</td><td>95</td><td>150</td><td>186</td></tr> <tr><td>T</td><td>13</td><td>20</td><td>20</td></tr> <tr><td>HEX</td><td>14</td><td>22</td><td>22</td></tr> </tbody> </table> <p>* 4 holes patern: </p> | DIM. | CASE DIAMETER | | | 63 | 100 | 160 | A | 80 | 124 | 170 | B | 56 | 71 | 71 | C | 18,5 | 30 | 30 | D | 110 | 175 | 205 | E | 79 | 132 | 132 | F | 5 | 5 | 5 | H | 5.2 (3x) | 6.2 (4x)* | 6.2 (4x)* | P | 95 | 150 | 186 | T | 13 | 20 | 20 | HEX | 14 | 22 | 22 |
| DIM. | CASE DIAMETER | | | | | | | | | | | | | | | | | | | | | | | | | | | | | | | | | | | | | | | | | | | | | | | | |
| | 63 | 100 | 160 | | | | | | | | | | | | | | | | | | | | | | | | | | | | | | | | | | | | | | | | | | | | | | |
| A | 80 | 124 | 170 | | | | | | | | | | | | | | | | | | | | | | | | | | | | | | | | | | | | | | | | | | | | | | |
| B | 56 | 71 | 71 | | | | | | | | | | | | | | | | | | | | | | | | | | | | | | | | | | | | | | | | | | | | | | |
| C | 18,5 | 30 | 30 | | | | | | | | | | | | | | | | | | | | | | | | | | | | | | | | | | | | | | | | | | | | | | |
| D | 110 | 175 | 205 | | | | | | | | | | | | | | | | | | | | | | | | | | | | | | | | | | | | | | | | | | | | | | |
| E | 79 | 132 | 132 | | | | | | | | | | | | | | | | | | | | | | | | | | | | | | | | | | | | | | | | | | | | | | |
| F | 5 | 5 | 5 | | | | | | | | | | | | | | | | | | | | | | | | | | | | | | | | | | | | | | | | | | | | | | |
| H | 5.2 (3x) | 6.2 (4x)* | 6.2 (4x)* | | | | | | | | | | | | | | | | | | | | | | | | | | | | | | | | | | | | | | | | | | | | | | |
| P | 95 | 150 | 186 | | | | | | | | | | | | | | | | | | | | | | | | | | | | | | | | | | | | | | | | | | | | | | |
| T | 13 | 20 | 20 | | | | | | | | | | | | | | | | | | | | | | | | | | | | | | | | | | | | | | | | | | | | | | |
| HEX | 14 | 22 | 22 | | | | | | | | | | | | | | | | | | | | | | | | | | | | | | | | | | | | | | | | | | | | | | |

"SUB SEA" PRESSURE GAUGES, TYPE PBX-SS-ED

TYPE PBX-SS-ED, with pressure tight solid barstock case: max 4000 metres

STANDARD MODEL

CASE : \varnothing 100 mm - screwed bezel, AISI316/1.4401, pressure tight for depths down to 4000 metres

WETTED PARTS : bourdon tube + connection AISI316Ti/1.4571

WINDOW : armoured glass 35 mm

DIAL : aluminium, black figures on white

POINTER : aluminium, black

CONNECTION : 1/2 " BSP or 1/2 " NPT

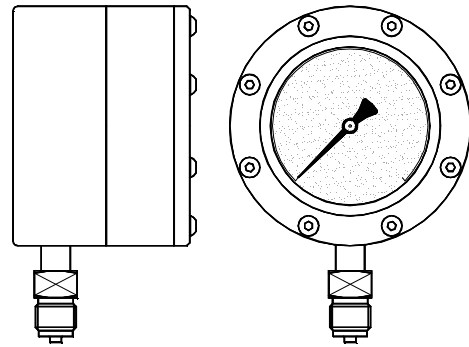
RANGE : 0-6 upto 0-60 bar, acc. to EN 837-1 for higher ranges see page 42 (max. 1600 bar)

ACCURACY : \pm 1.0% F.S. / class 1

MOVEMENT : AISI304/1.4301

APPLICATION : for operating at great depths of sea water and in hyperbaric conditions

OPTIONS : see page 44-45



| TYPE | MODEL ED "EXTRA DEEP" | DIMENSIONS | UNIT PRICE | | | | | | | | | | | | | | | | | | | | | | |
|--|-----------------------|--|----------------|-----|-----|------|---|----------------------|---|-----|---|-----|-----|-----|---|-----|---|-----|-----|-----|-----|----|-----|----|--|
| A | | <table border="1"> <tr><th colspan="2">PBX-SS-ED100XA</th></tr> <tr><th>DIM</th><th>CASE</th></tr> <tr><td></td><td>\varnothing 100 MM</td></tr> <tr><td>A</td><td>124</td></tr> <tr><td>B</td><td>91</td></tr> <tr><td>C</td><td>22</td></tr> <tr><td>E</td><td>109</td></tr> <tr><td>T</td><td>20</td></tr> <tr><td>HEX</td><td>22</td></tr> </table> | PBX-SS-ED100XA | | DIM | CASE | | \varnothing 100 MM | A | 124 | B | 91 | C | 22 | E | 109 | T | 20 | HEX | 22 | | | | | |
| | | PBX-SS-ED100XA | | | | | | | | | | | | | | | | | | | | | | | |
| DIM | CASE | | | | | | | | | | | | | | | | | | | | | | | | |
| | \varnothing 100 MM | | | | | | | | | | | | | | | | | | | | | | | | |
| A | 124 | | | | | | | | | | | | | | | | | | | | | | | | |
| B | 91 | | | | | | | | | | | | | | | | | | | | | | | | |
| C | 22 | | | | | | | | | | | | | | | | | | | | | | | | |
| E | 109 | | | | | | | | | | | | | | | | | | | | | | | | |
| T | 20 | | | | | | | | | | | | | | | | | | | | | | | | |
| HEX | 22 | | | | | | | | | | | | | | | | | | | | | | | | |
| <table border="1"> <tr><th colspan="2">PBX-SS-ED100XC</th></tr> <tr><td>A</td><td>124</td></tr> <tr><td>B</td><td>91</td></tr> <tr><td>C</td><td>30</td></tr> <tr><td>E</td><td>132</td></tr> <tr><td>T</td><td>20</td></tr> <tr><td>HEX</td><td>22</td></tr> </table> | PBX-SS-ED100XC | | A | 124 | B | 91 | C | 30 | E | 132 | T | 20 | HEX | 22 | | | | | | | | | | | |
| PBX-SS-ED100XC | | | | | | | | | | | | | | | | | | | | | | | | | |
| A | 124 | | | | | | | | | | | | | | | | | | | | | | | | |
| B | 91 | | | | | | | | | | | | | | | | | | | | | | | | |
| C | 30 | | | | | | | | | | | | | | | | | | | | | | | | |
| E | 132 | | | | | | | | | | | | | | | | | | | | | | | | |
| T | 20 | | | | | | | | | | | | | | | | | | | | | | | | |
| HEX | 22 | | | | | | | | | | | | | | | | | | | | | | | | |
| C | | <table border="1"> <tr><th colspan="2">PBX-SS-ED100XD</th></tr> <tr><td>A</td><td>124</td></tr> <tr><td>B</td><td>91</td></tr> <tr><td>C</td><td>22</td></tr> <tr><td>D</td><td>175</td></tr> <tr><td>E</td><td>132</td></tr> <tr><td>H</td><td>7</td></tr> <tr><td>F</td><td>8</td></tr> <tr><td>P</td><td>150</td></tr> <tr><td>T</td><td>20</td></tr> <tr><td>HEX</td><td>21</td></tr> </table> | PBX-SS-ED100XD | | A | 124 | B | 91 | C | 22 | D | 175 | E | 132 | H | 7 | F | 8 | P | 150 | T | 20 | HEX | 21 | |
| | | PBX-SS-ED100XD | | | | | | | | | | | | | | | | | | | | | | | |
| A | 124 | | | | | | | | | | | | | | | | | | | | | | | | |
| B | 91 | | | | | | | | | | | | | | | | | | | | | | | | |
| C | 22 | | | | | | | | | | | | | | | | | | | | | | | | |
| D | 175 | | | | | | | | | | | | | | | | | | | | | | | | |
| E | 132 | | | | | | | | | | | | | | | | | | | | | | | | |
| H | 7 | | | | | | | | | | | | | | | | | | | | | | | | |
| F | 8 | | | | | | | | | | | | | | | | | | | | | | | | |
| P | 150 | | | | | | | | | | | | | | | | | | | | | | | | |
| T | 20 | | | | | | | | | | | | | | | | | | | | | | | | |
| HEX | 21 | | | | | | | | | | | | | | | | | | | | | | | | |
| <table border="1"> <tr><th colspan="2">PBX-SS-ED100XJ</th></tr> <tr><td>A</td><td>124</td></tr> <tr><td>B</td><td>91</td></tr> <tr><td>C</td><td>30</td></tr> <tr><td>D</td><td>175</td></tr> <tr><td>E</td><td>132</td></tr> <tr><td>F</td><td>8</td></tr> <tr><td>H</td><td>7</td></tr> <tr><td>P</td><td>150</td></tr> <tr><td>T</td><td>20</td></tr> <tr><td>HEX</td><td>21</td></tr> </table> | PBX-SS-ED100XJ | | A | 124 | B | 91 | C | 30 | D | 175 | E | 132 | F | 8 | H | 7 | P | 150 | T | 20 | HEX | 21 | | | |
| PBX-SS-ED100XJ | | | | | | | | | | | | | | | | | | | | | | | | | |
| A | 124 | | | | | | | | | | | | | | | | | | | | | | | | |
| B | 91 | | | | | | | | | | | | | | | | | | | | | | | | |
| C | 30 | | | | | | | | | | | | | | | | | | | | | | | | |
| D | 175 | | | | | | | | | | | | | | | | | | | | | | | | |
| E | 132 | | | | | | | | | | | | | | | | | | | | | | | | |
| F | 8 | | | | | | | | | | | | | | | | | | | | | | | | |
| H | 7 | | | | | | | | | | | | | | | | | | | | | | | | |
| P | 150 | | | | | | | | | | | | | | | | | | | | | | | | |
| T | 20 | | | | | | | | | | | | | | | | | | | | | | | | |
| HEX | 21 | | | | | | | | | | | | | | | | | | | | | | | | |
| D | | <table border="1"> <tr><th colspan="2">PBX-SS-ED100XD</th></tr> <tr><td>A</td><td>124</td></tr> <tr><td>B</td><td>91</td></tr> <tr><td>C</td><td>22</td></tr> <tr><td>D</td><td>175</td></tr> <tr><td>E</td><td>132</td></tr> <tr><td>H</td><td>7</td></tr> <tr><td>F</td><td>8</td></tr> <tr><td>P</td><td>150</td></tr> <tr><td>T</td><td>20</td></tr> <tr><td>HEX</td><td>21</td></tr> </table> | PBX-SS-ED100XD | | A | 124 | B | 91 | C | 22 | D | 175 | E | 132 | H | 7 | F | 8 | P | 150 | T | 20 | HEX | 21 | |
| | | PBX-SS-ED100XD | | | | | | | | | | | | | | | | | | | | | | | |
| A | 124 | | | | | | | | | | | | | | | | | | | | | | | | |
| B | 91 | | | | | | | | | | | | | | | | | | | | | | | | |
| C | 22 | | | | | | | | | | | | | | | | | | | | | | | | |
| D | 175 | | | | | | | | | | | | | | | | | | | | | | | | |
| E | 132 | | | | | | | | | | | | | | | | | | | | | | | | |
| H | 7 | | | | | | | | | | | | | | | | | | | | | | | | |
| F | 8 | | | | | | | | | | | | | | | | | | | | | | | | |
| P | 150 | | | | | | | | | | | | | | | | | | | | | | | | |
| T | 20 | | | | | | | | | | | | | | | | | | | | | | | | |
| HEX | 21 | | | | | | | | | | | | | | | | | | | | | | | | |
| <table border="1"> <tr><th colspan="2">PBX-SS-ED100XJ</th></tr> <tr><td>A</td><td>124</td></tr> <tr><td>B</td><td>91</td></tr> <tr><td>C</td><td>30</td></tr> <tr><td>D</td><td>175</td></tr> <tr><td>E</td><td>132</td></tr> <tr><td>F</td><td>8</td></tr> <tr><td>H</td><td>7</td></tr> <tr><td>P</td><td>150</td></tr> <tr><td>T</td><td>20</td></tr> <tr><td>HEX</td><td>21</td></tr> </table> | PBX-SS-ED100XJ | | A | 124 | B | 91 | C | 30 | D | 175 | E | 132 | F | 8 | H | 7 | P | 150 | T | 20 | HEX | 21 | | | |
| PBX-SS-ED100XJ | | | | | | | | | | | | | | | | | | | | | | | | | |
| A | 124 | | | | | | | | | | | | | | | | | | | | | | | | |
| B | 91 | | | | | | | | | | | | | | | | | | | | | | | | |
| C | 30 | | | | | | | | | | | | | | | | | | | | | | | | |
| D | 175 | | | | | | | | | | | | | | | | | | | | | | | | |
| E | 132 | | | | | | | | | | | | | | | | | | | | | | | | |
| F | 8 | | | | | | | | | | | | | | | | | | | | | | | | |
| H | 7 | | | | | | | | | | | | | | | | | | | | | | | | |
| P | 150 | | | | | | | | | | | | | | | | | | | | | | | | |
| T | 20 | | | | | | | | | | | | | | | | | | | | | | | | |
| HEX | 21 | | | | | | | | | | | | | | | | | | | | | | | | |
| J | | <table border="1"> <tr><th colspan="2">PBX-SS-ED100XD</th></tr> <tr><td>A</td><td>124</td></tr> <tr><td>B</td><td>91</td></tr> <tr><td>C</td><td>22</td></tr> <tr><td>D</td><td>175</td></tr> <tr><td>E</td><td>132</td></tr> <tr><td>H</td><td>7</td></tr> <tr><td>F</td><td>8</td></tr> <tr><td>P</td><td>150</td></tr> <tr><td>T</td><td>20</td></tr> <tr><td>HEX</td><td>21</td></tr> </table> | PBX-SS-ED100XD | | A | 124 | B | 91 | C | 22 | D | 175 | E | 132 | H | 7 | F | 8 | P | 150 | T | 20 | HEX | 21 | |
| | | PBX-SS-ED100XD | | | | | | | | | | | | | | | | | | | | | | | |
| A | 124 | | | | | | | | | | | | | | | | | | | | | | | | |
| B | 91 | | | | | | | | | | | | | | | | | | | | | | | | |
| C | 22 | | | | | | | | | | | | | | | | | | | | | | | | |
| D | 175 | | | | | | | | | | | | | | | | | | | | | | | | |
| E | 132 | | | | | | | | | | | | | | | | | | | | | | | | |
| H | 7 | | | | | | | | | | | | | | | | | | | | | | | | |
| F | 8 | | | | | | | | | | | | | | | | | | | | | | | | |
| P | 150 | | | | | | | | | | | | | | | | | | | | | | | | |
| T | 20 | | | | | | | | | | | | | | | | | | | | | | | | |
| HEX | 21 | | | | | | | | | | | | | | | | | | | | | | | | |
| <table border="1"> <tr><th colspan="2">PBX-SS-ED100XJ</th></tr> <tr><td>A</td><td>124</td></tr> <tr><td>B</td><td>91</td></tr> <tr><td>C</td><td>30</td></tr> <tr><td>D</td><td>175</td></tr> <tr><td>E</td><td>132</td></tr> <tr><td>F</td><td>8</td></tr> <tr><td>H</td><td>7</td></tr> <tr><td>P</td><td>150</td></tr> <tr><td>T</td><td>20</td></tr> <tr><td>HEX</td><td>21</td></tr> </table> | PBX-SS-ED100XJ | | A | 124 | B | 91 | C | 30 | D | 175 | E | 132 | F | 8 | H | 7 | P | 150 | T | 20 | HEX | 21 | | | |
| PBX-SS-ED100XJ | | | | | | | | | | | | | | | | | | | | | | | | | |
| A | 124 | | | | | | | | | | | | | | | | | | | | | | | | |
| B | 91 | | | | | | | | | | | | | | | | | | | | | | | | |
| C | 30 | | | | | | | | | | | | | | | | | | | | | | | | |
| D | 175 | | | | | | | | | | | | | | | | | | | | | | | | |
| E | 132 | | | | | | | | | | | | | | | | | | | | | | | | |
| F | 8 | | | | | | | | | | | | | | | | | | | | | | | | |
| H | 7 | | | | | | | | | | | | | | | | | | | | | | | | |
| P | 150 | | | | | | | | | | | | | | | | | | | | | | | | |
| T | 20 | | | | | | | | | | | | | | | | | | | | | | | | |
| HEX | 21 | | | | | | | | | | | | | | | | | | | | | | | | |

"SUB SEA" PRESSURE GAUGES, TYPE PBX-SS-CAISSON

TYPE PBX-SS-CAISSON, with pressure tight solid barstock case

STANDARD MODEL

CASE : ø 160 mm - screwed bezel, AISI316/1.4401, pressure tight for decompression tanks
WETTED PARTS : bourdon tube + connection AISI316Ti/1.4571
WINDOW : armoured glass 19 mm
DIAL : aluminium, black figures on white
POINTER : aluminium, black
CONNECTION : 1/2 " BSP or 1/2 " NPT
RANGE : 0-10 upto 0-600 Meter sea water, acc. to EN 837-1 for higher ranges see page 42 (max. 1600 bar)
ACCURACY : ± 1.0% F.S. / class 1
MOVEMENT : AISI304/1.4301
APPLICATION : for use inside decompression chambers with vent connection for ambient pressure with air filter for the "room" pressure
OPTIONS : see page 44-45



| TYPE | MODEL CAISSON Dimensions | UNIT PRICE |
|---|--------------------------|------------|
| <p align="center">B</p> <p>PBX-SS-CAISSON-XB</p> | | |

| OPTIONS | EXTRA COSTS | |
|-------------------------|--|--|
| class 0.6% F.S. | ±0.5 / 0.6 %F.S. (class 0.5 or 0.6) | |
| class 0.25% F.S. | ±0.3 or 0.25 %F.S. (class 0.3 or 0.25); Bourdon tube of Copper-beryllium | |
| Mirrorscale | for accurate reading of the gauge | |
| Calibration certificate | Certificate traceable to international standards | |